

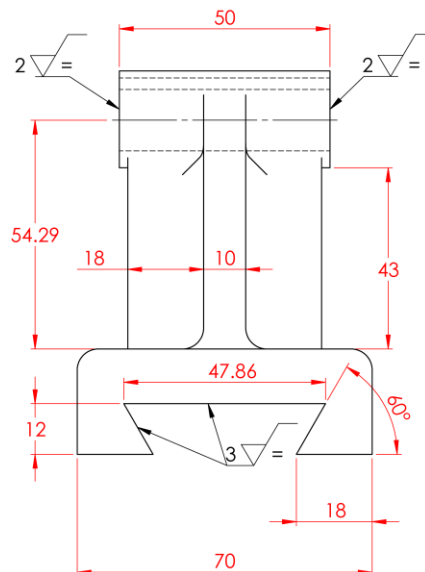
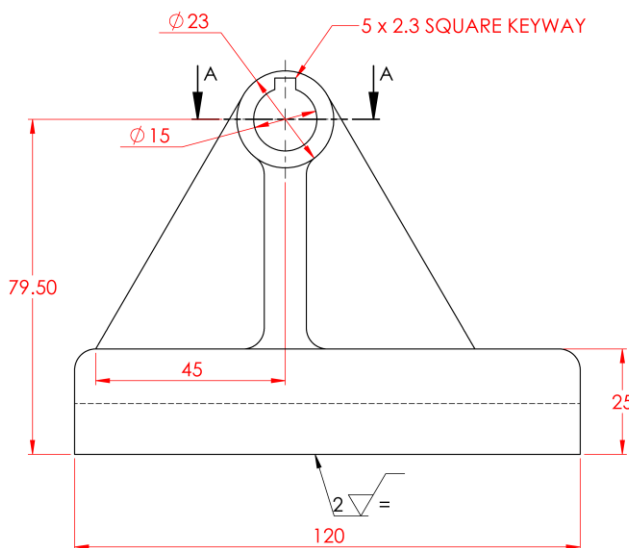
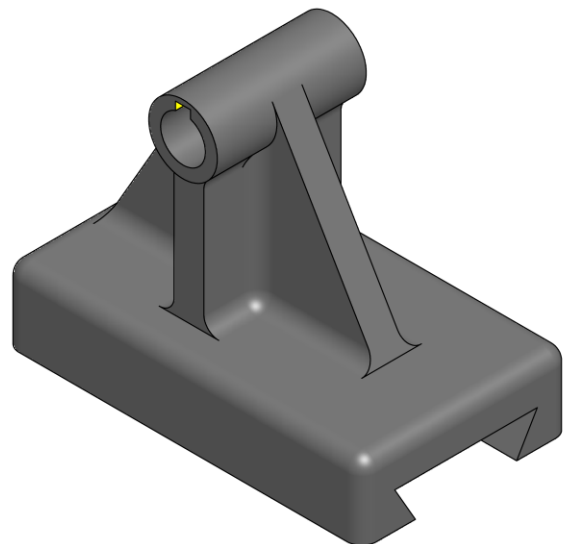
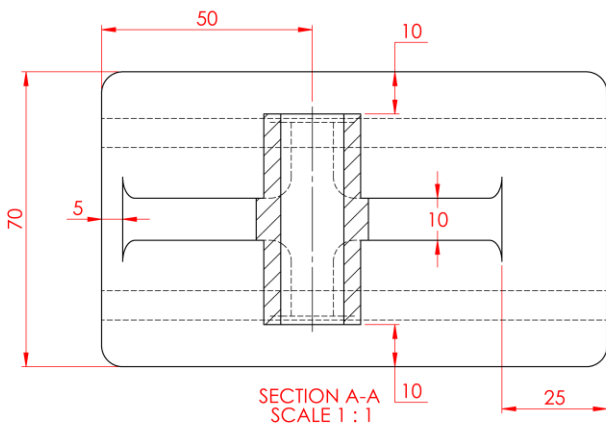


Assignment-5 (Cross Slide)

For the cross slide, make the following:

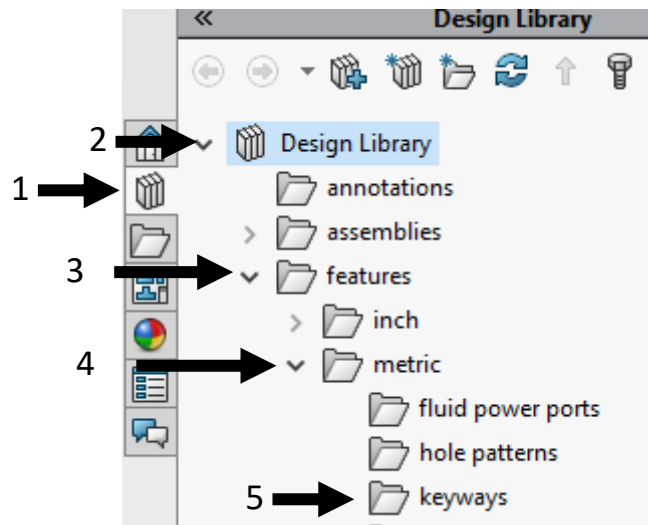
- 1- Draw the cross slide and use the design library to insert the square keyway feature ([example on page-2](#)).
- 2- Set the part material to malleable cast iron.
- 3- Make drawing from part with the following views complete with dimensions and surface finish symbols:
 - a) Front view.
 - b) Top view with section A-A.
 - c) Right side view.
- d) For the surface finish symbols specify the lay direction to parallel and material removal allowance ([example on page-2](#)).

Note: Rounds and fillets R5 unless otherwise specified.





Using Design Library Features to Create Keyways:



Surface Finish:

