

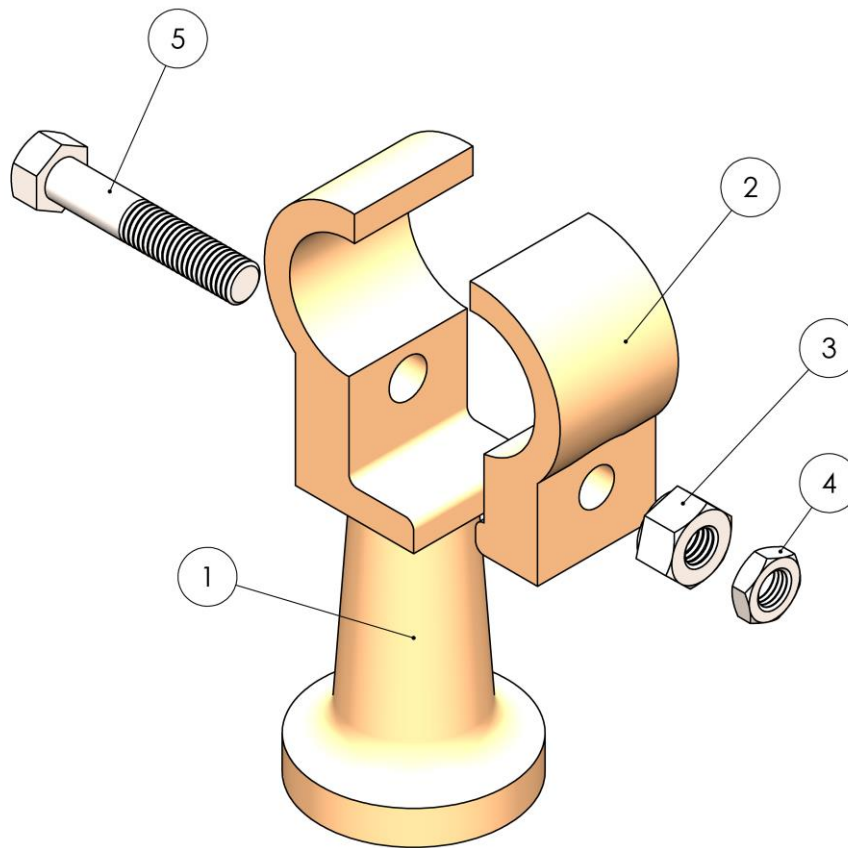


### Assignment-3 (Hand Rail Column)

For the hand rail column assembly, make the following:

- 1- Draw item number 1 (Column) and set the part material to cast iron.
- 2- Draw item number 2 (Cap) and set the part material to cast iron.
- 3- Create the assembly and use the toolbox to insert items 3, 4 and 5.
- 4- Make exploded view of the assembly.

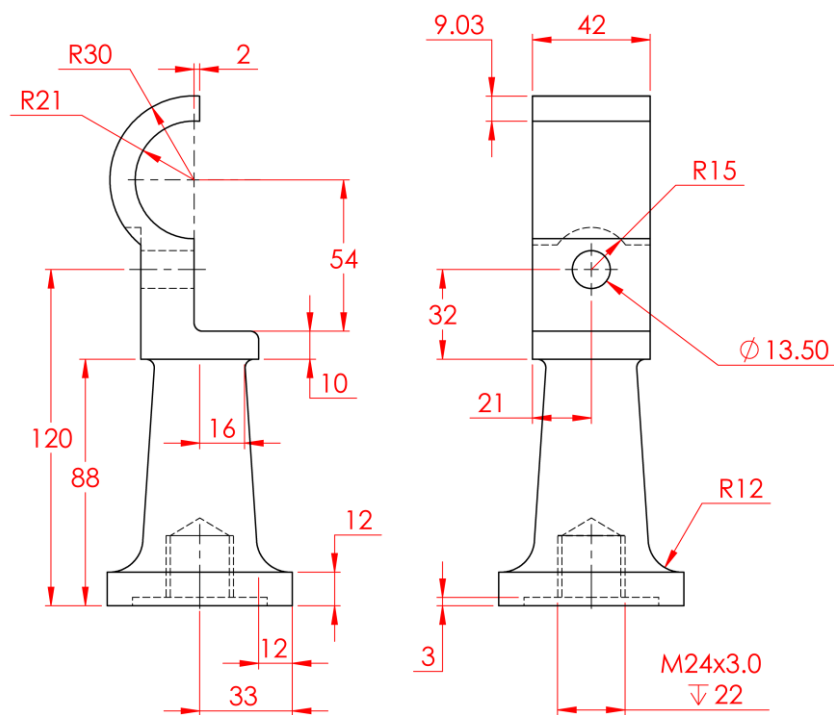
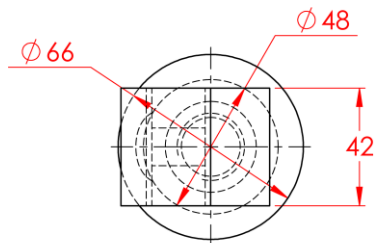
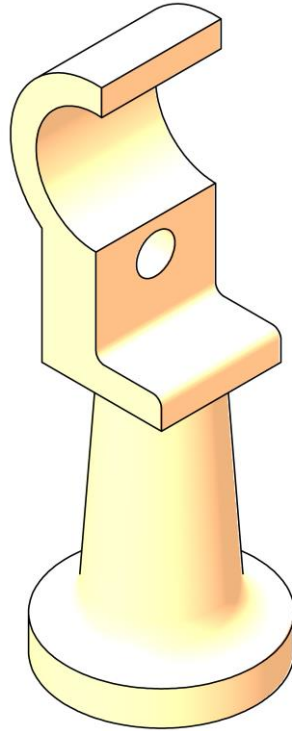
Note: Rounds and fillets R3 unless otherwise specified.



PARTS LIST			
ITEM NO.	NAME	DESCRIPTION	QTY.
1	Column	CAST IRON	1
2	Cap	CAST IRON	1
3	Hex Nut	M12 X 1.75	1
4	Hex Lock Nut	M12 X 1.75	1
5	Hex Screw	M12 X 1.75	1



Column:





Cap:

