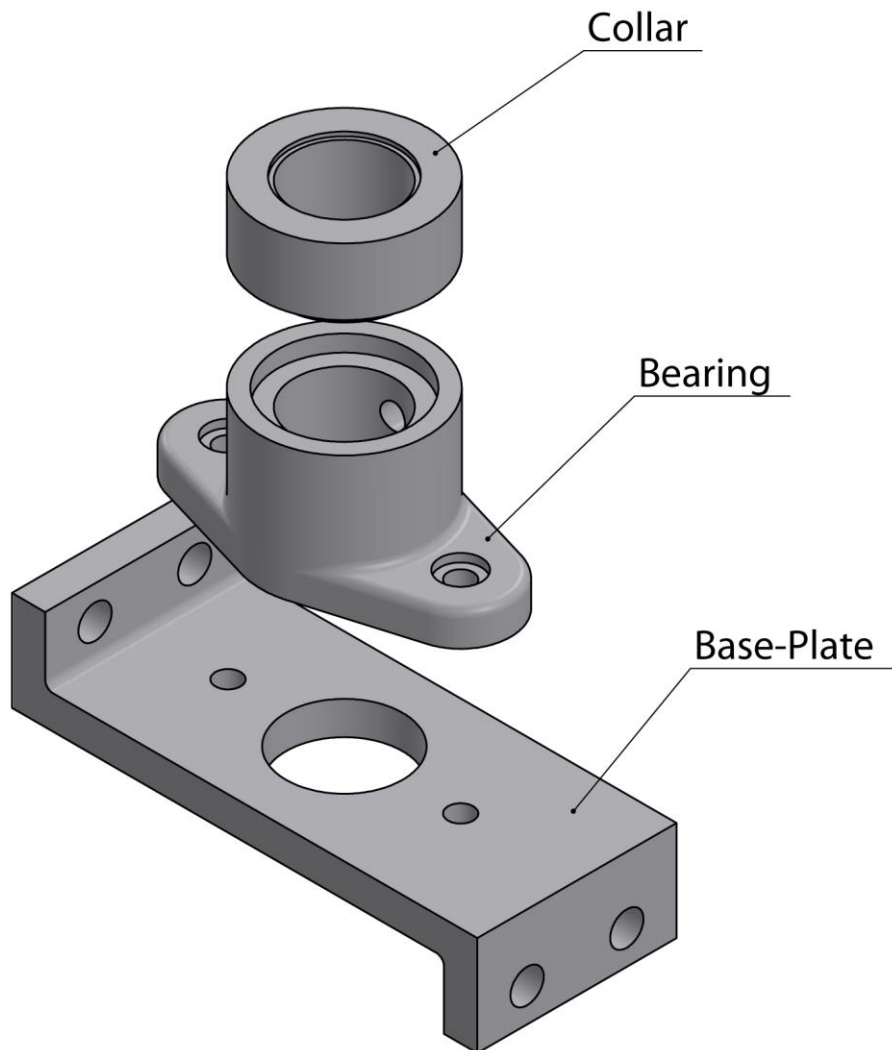


## Assignment-2 (Shaft Support Assembly)

For the shaft support assembly, make the following:

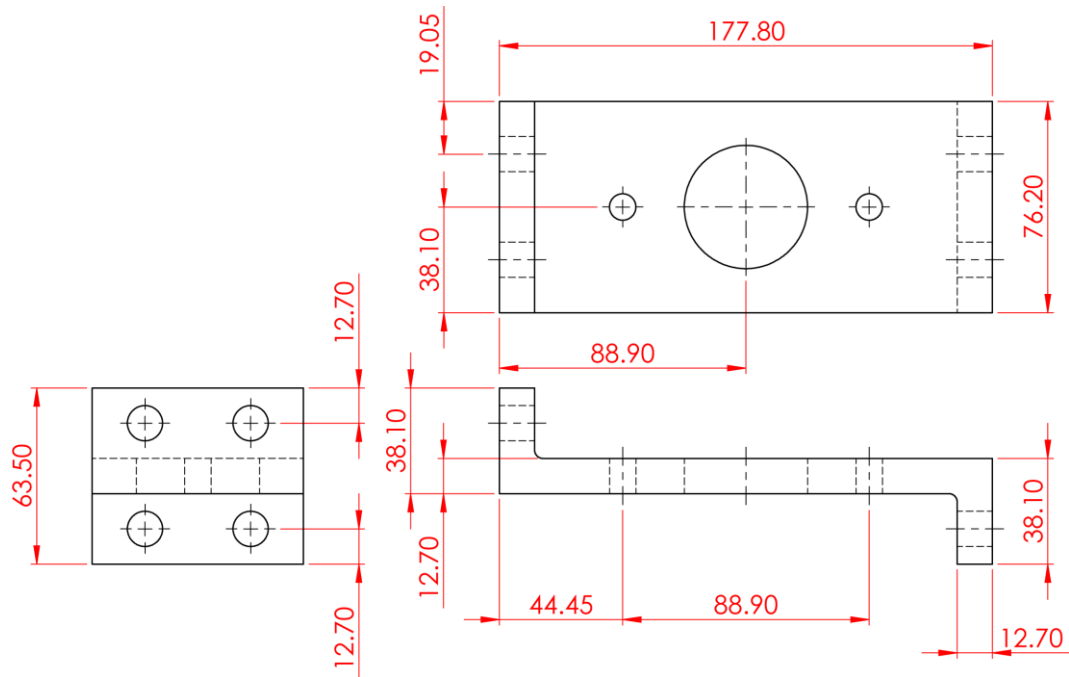
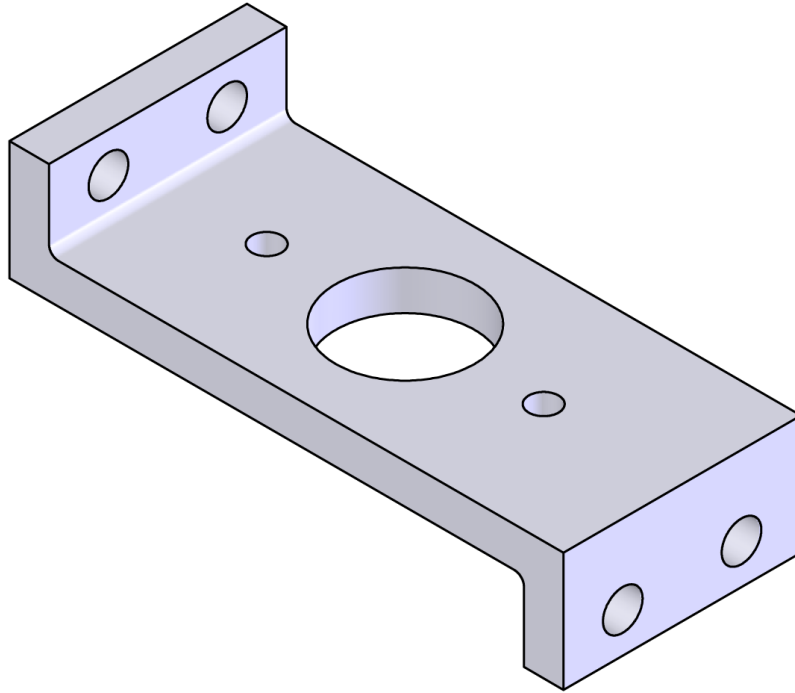
- 1- Draw each part.
- 2- Draw assembly.
- 3- Make drawing from bearing with the following views complete with dimensions:
  - a) Front view with section A-A.
  - b) Top view.
  - c) Left side view.

Note: Rounds and fillets R3 unless otherwise specified.



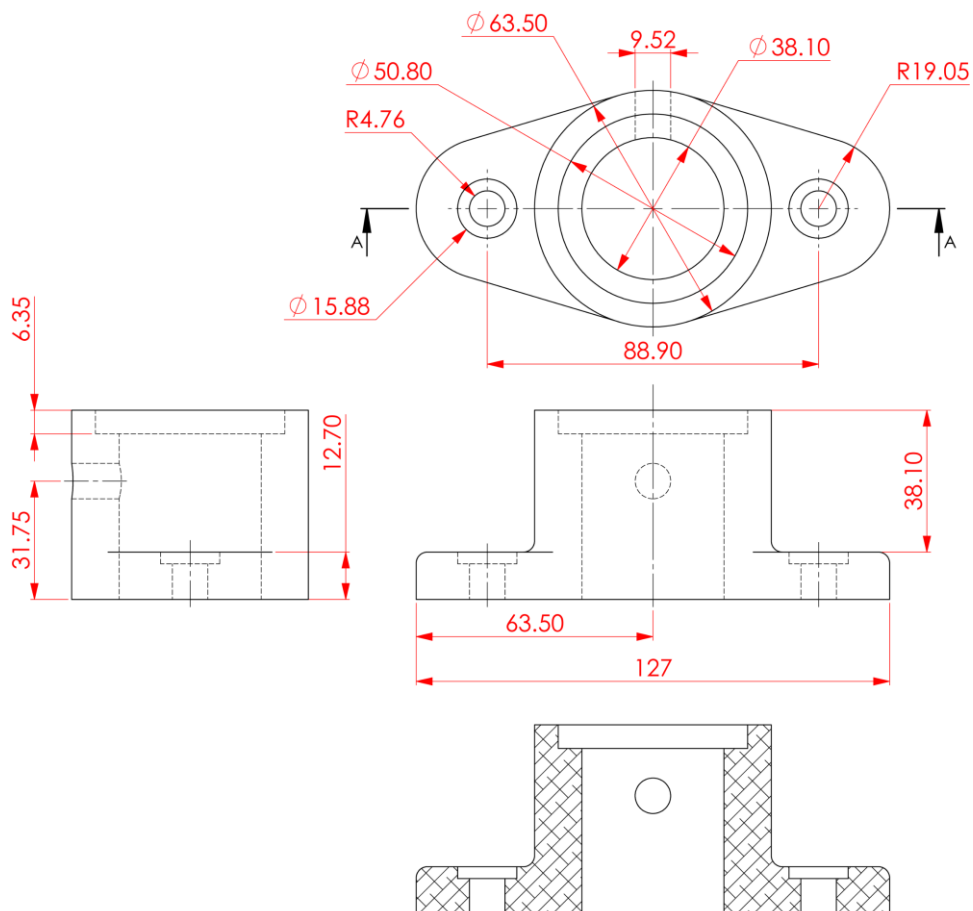
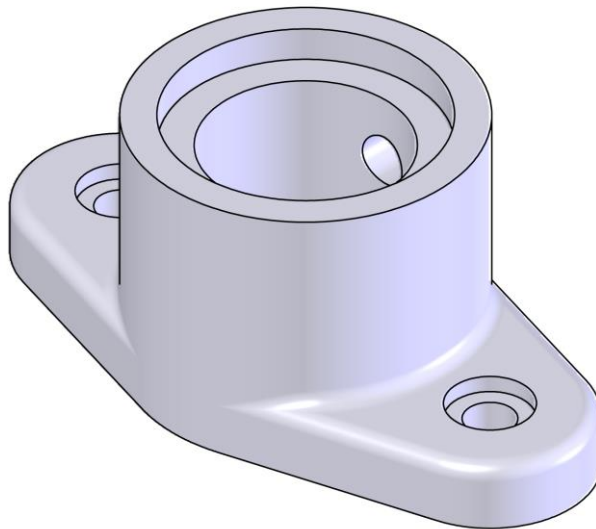


**Base-Plate:**





**Bearing:**





Collar:

