

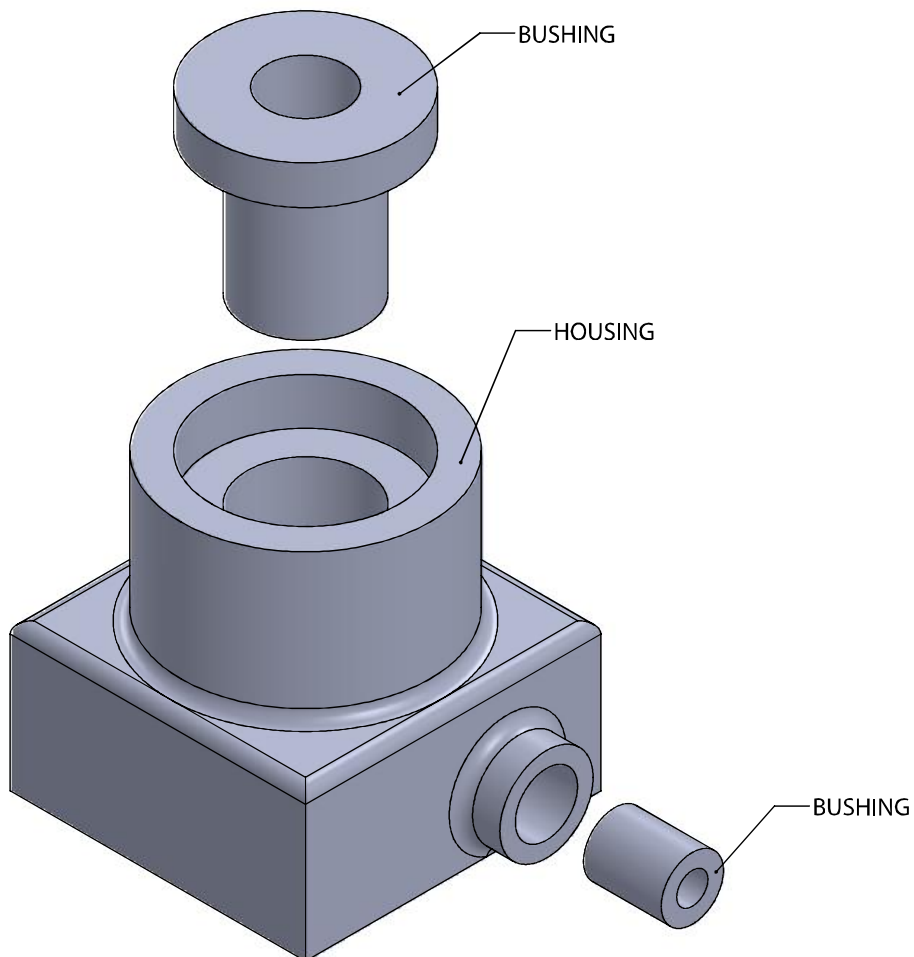


## Assignment-1 (Housing Assembly)

For the housing assembly, make the following:

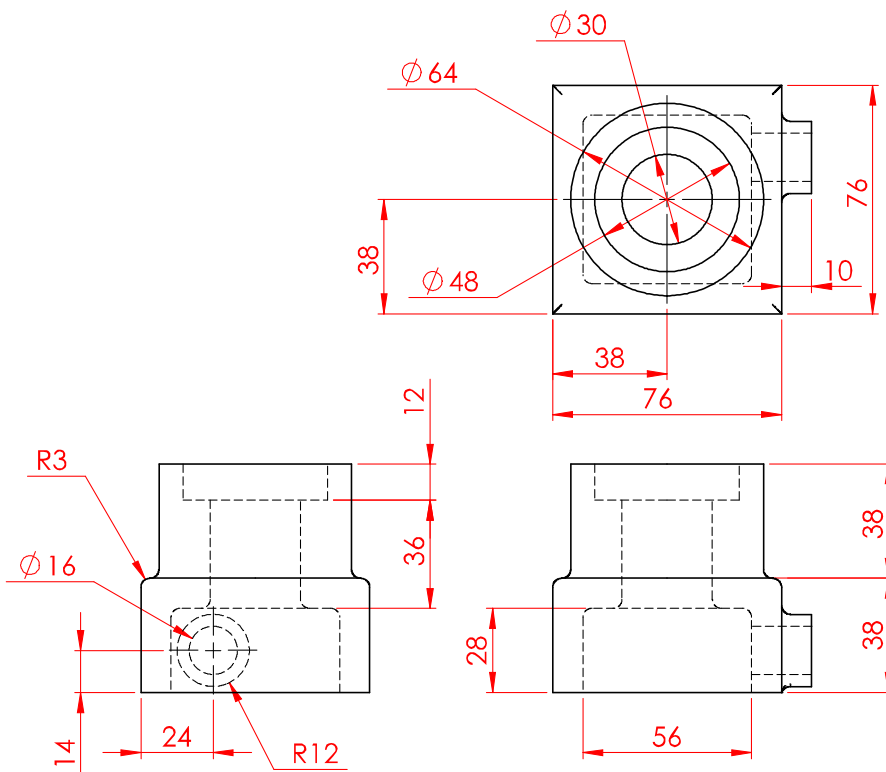
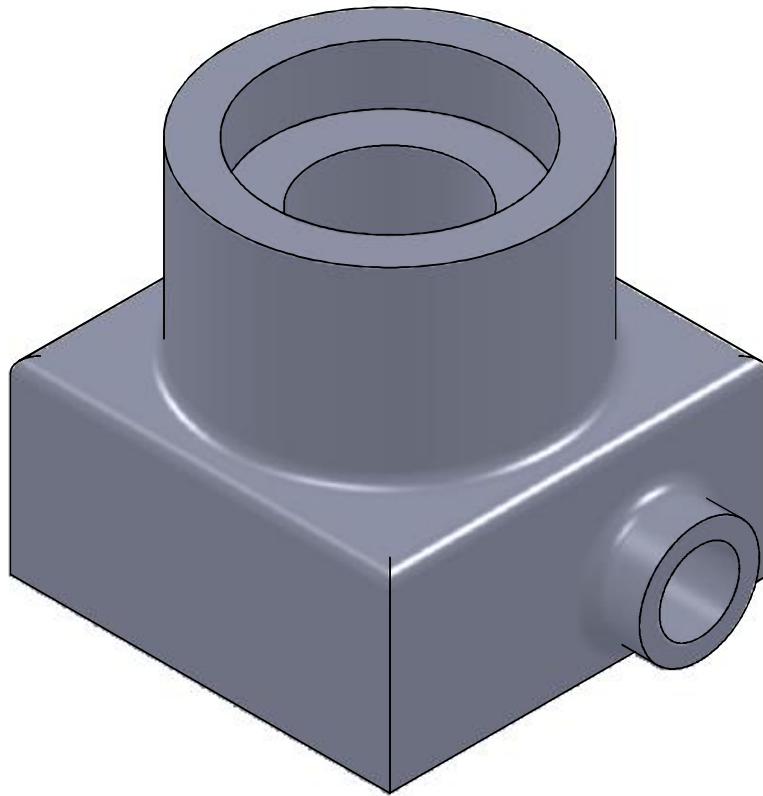
- 1- Draw each part.
- 2- Draw assembly.
- 3- Make drawing from assembly with the following views complete with dimensions:
  - a) Front view.
  - b) Top view.
  - c) Left side view.

Note: Rounds and fillets R3 unless otherwise specified.



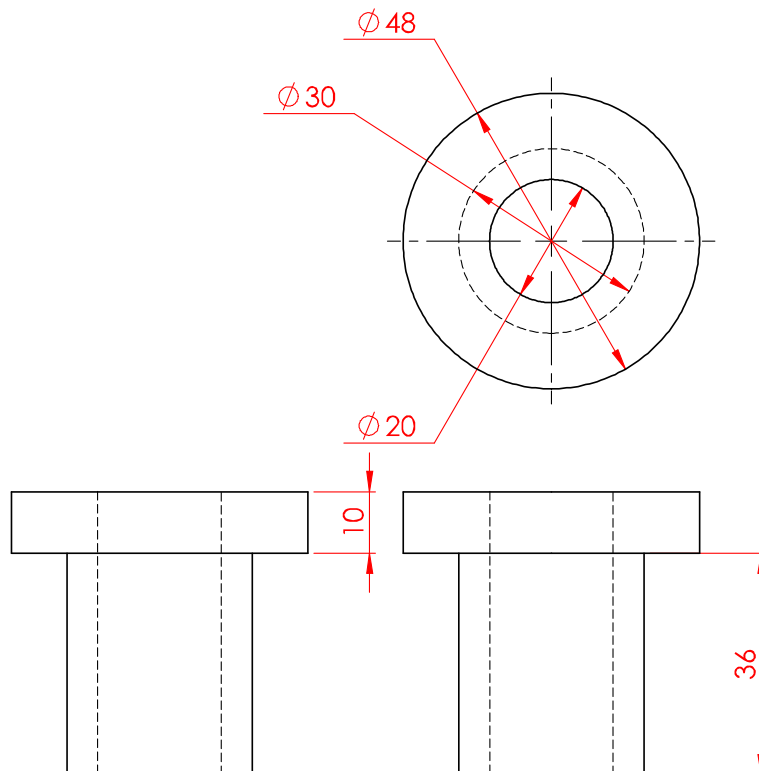
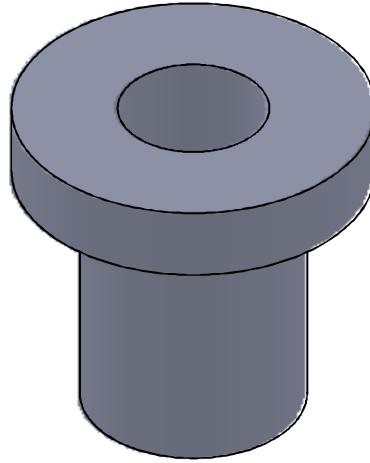


**Housing:**





**First bushing:**





**Second bushing:**

