

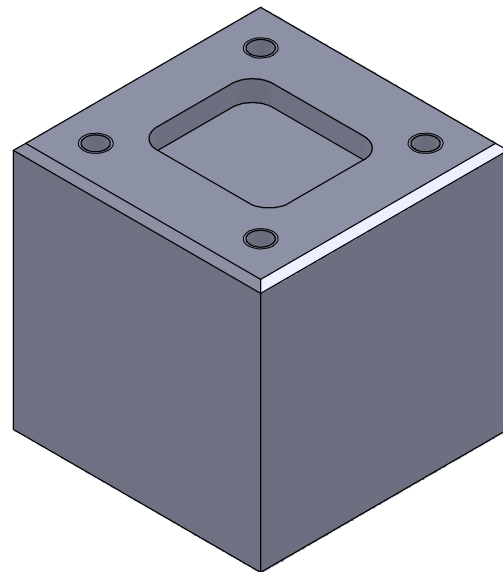
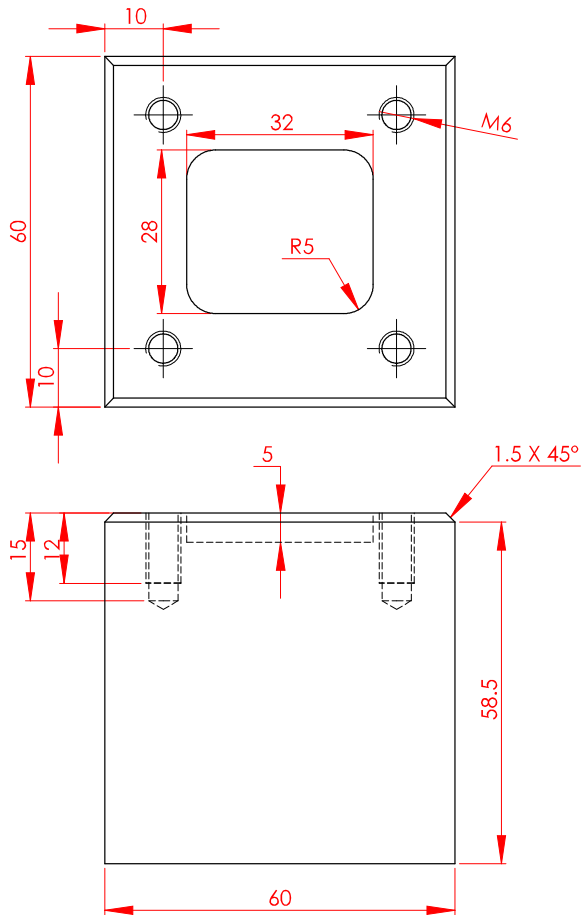


Classwork-3

Student Name: _____

Grade: $\frac{3}{5}$

Write a word address program in absolute mode for executing drilling and contour operation as shown below. Use CNC tool and operations sheet given.



CNC TOOL AND OPERATIONS SHEET

Tool	Operation	Tooling	Speed (rpm)	Feed (mm/min)
1	Facing 0.5 mm	ϕ 50-mm Face mill	1500	250
3	Rectangular pocket depth of cut 1mm	ϕ 10-mm End mill	2500	250
7	Center drill depth of cut 1.7mm	Center drill	1200	100
4	Deep drill (4) holes	ϕ 5-mm Twist drill	2000	150
5	Tapping	M6 tap	500	150
6	Chamfer mill	Angle cutter ϕ 16x4mm	3000	400



Sequence Number	Word address command	Meaning
N5		
N10		
N15		
N20		
N25		
N30		
N35		
N40		
N45		
N50		
N55		
N60		
N65		
N70		
N75		
N80		
N85		
N90		
N95		
N100		
N105		
N110		
N115		
N120		
N125		
N130		
N135		
N140		
N145		
N150		
N155		
N160		
N165		
N170		
N175		
N180		
N185		
N190		
N195		
N200		
N205		
N210		
N215		
N220		